

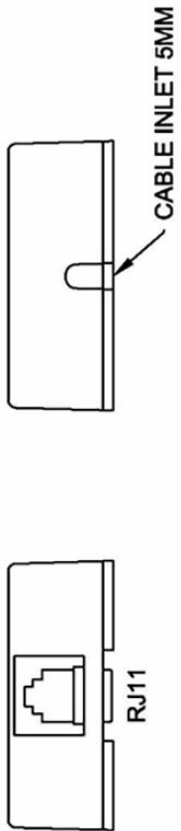
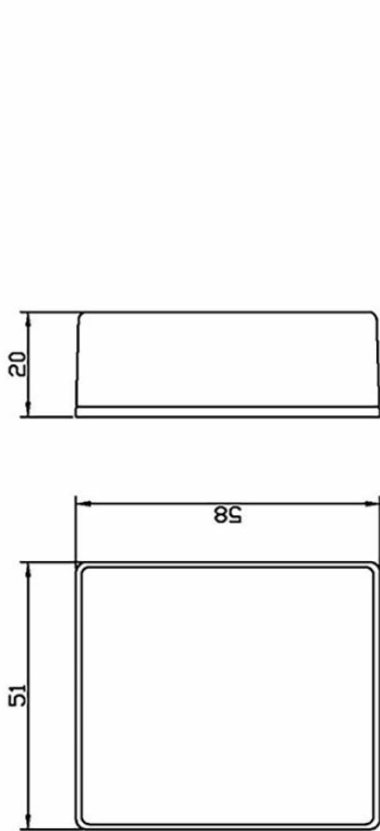
3005000034

PT-625A

Prise applique RJ11 4-50

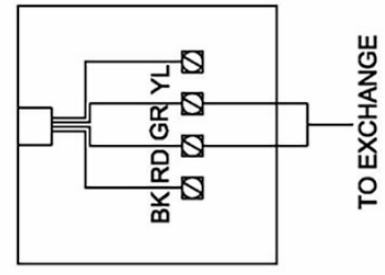
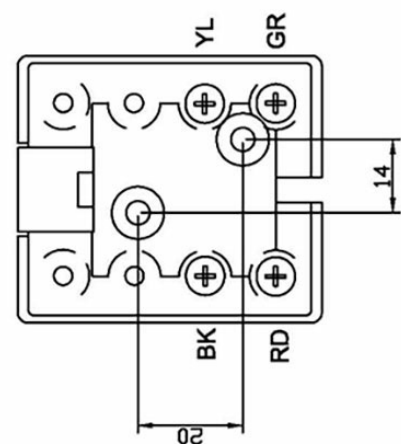


Technical Dimensions



BK= BLACK
 RD= RED
 GR= GREEN
 YL= YELLOW

MODULAR OUTLET RJ11
 TO ANALOGUE TELEPHONE
 WITH RJ11 OR RJ12 PLUG



Specifications

GÉNÉRAL

| | |
|-------------------------|-----------------|
| Matériau | Plastique |
| Connexions | Bornier à vis |
| Dimensions (LxHxP) | 51 x 20 x 58 mm |
| Indice de Protection IP | IP-20 |