

SPA-PROG4-RDF

3005010172

## SPA-PROG4-RDF

Entertainment program selector dual failsafe.

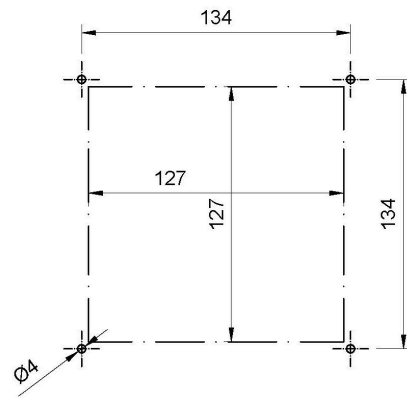
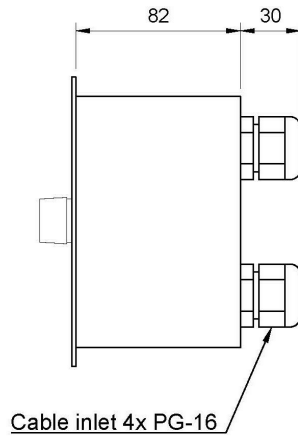
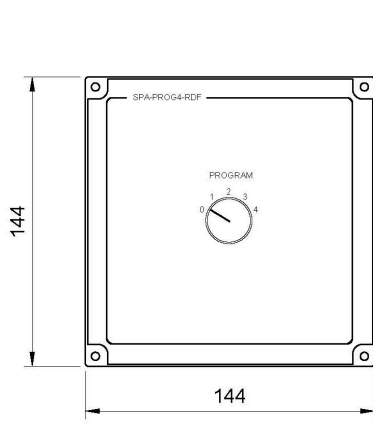
---

---

### Description

- ✓ Selector for 4x 100V entertainment programs
- ✓ PA input 100V from dual A-B system
- ✓ PA override 24VDC input failsafe from dual A-B system and for single system by DIP switch
- ✓ 2x common outputs 100V for dual A-B system

### Technical Dimensions



Cut out for flush mounting  
127 x 127

Related Item:

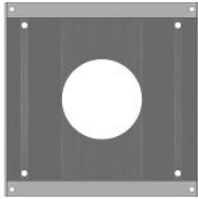
SPA-M6 Box wall mounting box for SPA-M1/M6 panels  
Item.no.3005010155

# Specifications

## GENERAL

Size (WxHxD)	144 x 144 x 82mm
Weight w/microphone	0.4 kg
Material	Black anodized aluminium
Mounting	Flush, wall with use of back box
Connections	Plugable screw terminals for 2.5 mm <sup>2</sup> cable
IP-rating	IP-22
Environmental Condition	Protected

## Accessories



### SPA-M6BOKS

Wall-mount box for SPA-M1/M6 and VM15/50-RD panels