

1008114030

TCAS-3

Analog Intercom



Door Intercom



Turbine



IP66

Description

- ✓ Audio Presence - crystal clear audio
- ✓ Analog MEMS microphone
- ✓ Unique 3D speaker grille design
- ✓ Scandinavian functional design
- ✓ Dirt, dust and water resistant - rating IP-66
- ✓ Built to last with robust die cast aluminium frame - rating IK 08
- ✓ Black thermoplastic front plate with one button
- ✓ Ideal for Building Security and Public Environments

All analog stations in the Turbine series offer stunning audio quality. AlphaCom's advanced switching technology, loud volume, wide frequency range and our unique 3D speaker grille design are some of the factors contributing to this. We also put great pride into selecting the very best components like the new analog MEMS microphone for the stations.

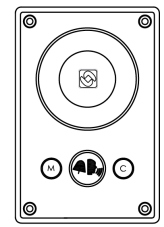
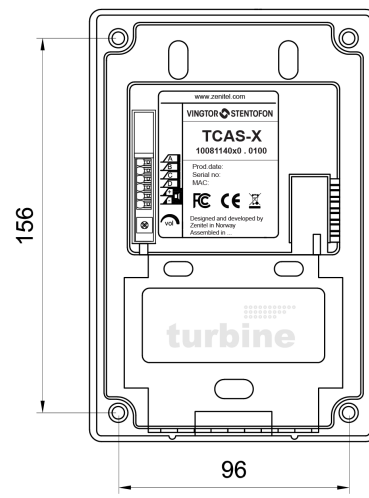
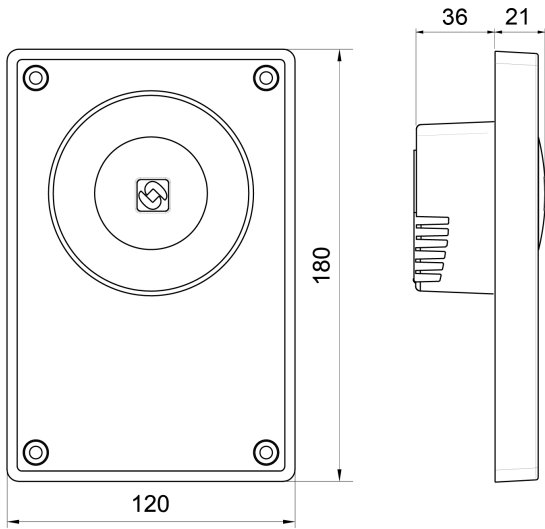
Turbine comprises a wide range of stations for many different purposes, with some features in common. They are all designed for the most demanding environments where communication is critical. All electronics are covered by a 3 mm thick, die cast aluminum frame. This frame is even further reinforced by a faceplate in either stainless steel or Plexiglas. All stations are dust proof and water resistant, both when flush and surface mounted – with ingress protection rating IP-66. All stations are vandal resistant with poke protection and impact resistance ratings between IK 08 and IK 10.

The station can be placed up to 4 km from the AlphaCom server/exchange without the need for any local power source. The station uses the conventional 4-wire interface, receiving both power and audio in the same cable. To provide maximum availability the station comes with advanced supervision functions. The station line test will detect whether any faults are in the network or station electronics. In addition the station supports tone test, i.e. testing the complete transmission path including microphone and speaker. The status of the stations is reported to AlphaWeb as well as to 3rd party management systems using SNMP, Syslog or Microsoft OPC.

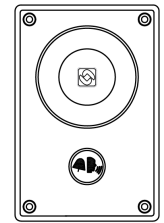
Turbine follows in the grand tradition of Scandinavian design appreciated by designers the world over. The station's strong identity lies in the speaker grille. It is not only designed for aesthetic reasons, but also for audio quality and protection – with form following function. And there can be little doubt as to its function: loudspeaking hands-free communication.

See also: [additional documentation on wiki.zenitel.com](https://wiki.zenitel.com)

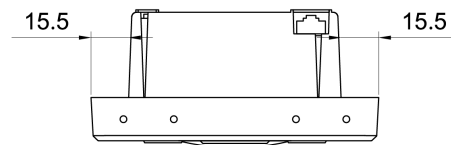
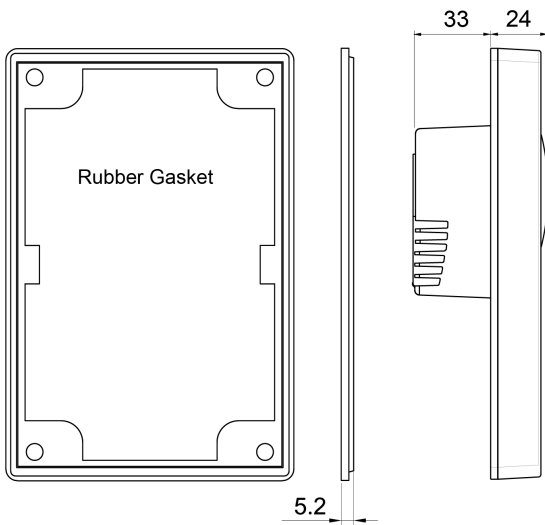
Technical Dimensions



TCAS-1



TCAS-2
TCAS-3



All dimensions in mm

Specifications

AUDIO

SPL rated power at 1m	85 dB
Microphone technology	Analog MEMS, omni directional microphone
Frequency range	200 - 10000 Hz

HARDWARE

Connectors	Tool less, spring loaded, vibration proof terminals
Power	Powered from exchange
Power consumption	1W (depending on volume)
Call indication	LED integrated in large button

CONSTRUCTION

Dimensions (HxWxD)	180 x 120 x 57 mm / 7.1" x 4.7" x 2.2"
Dimensions after flush mount	180 x 120 x 24 mm / 7.1" x 4.7" x 0.9"
Dimensions with on wall box	180 x 120 x 86 mm / 7.1" x 4.7" x 3.4"
Weight	1 kg / 2.2 lbs.
Faceplate material	3 mm / 0.12" PMMA, colour printed on back side
Base/frame material	3 mm / 0.12" aluminum alloy - A413.0, AISi12Fe, painted
Electronics cover material	Polycarbonate (translucent)
Gasket material	Silicone rubber
Fastening bracket material	SECC steel
Button material	3 mm / 0.12" Polycarbonate (transparent)
Button travel length	1.25 mm
Button activation force	350 gf
Button push-cycles before failure	300 000
Loudspeaker poke protection, large diameter object	3D cast aluminum speaker grille
Loudspeaker poke protection, small diameter objects	Stainless steel mesh, acoustically transparent

ENVIRONMENT AND COMPLIANCES

IP rating	IP-66, tested according to EN 60529 (applies when mounted in TA-1 back box)
IK rating	IK 08, tested according to EN 62262
Operating temperature range	-25° to 70° C / -13° to 158 ° F
Storage temperature range	-25° to 70° C / -13° to 158 ° F
Relative humidity	< 95% not condensing
Corrosion	Salty mist. tested according to EN60945
Vibration	Tested according to EN60945
UV-resistant	Yes
EMC	CE and FCC Part 15
Compliances	IEC/EN 60945 Marine Equipment. IEC/EN 61000-6 Light and heavy industry. IEC/EN 50486 Equipment for use in audio video. door-entry systems

OTHER SPECIFICATIONS

Supervision	Line supervision. Tone test (manual and automatic). Station status in AlphaWeb
Country of manufacture	Poland

Accessories



TA-1

Turbine Compact Onwall Back Box



TA-3

2 1/2" Deep Flushmount Backbox for Turbine Compact & Mini



TA-5

Bracket for US 2 GANG Double Depth Back Box



TA-14

Microphone windshield for TCIS / TCIV



TA-18

Turbine Compact Flush-Mount Back Box