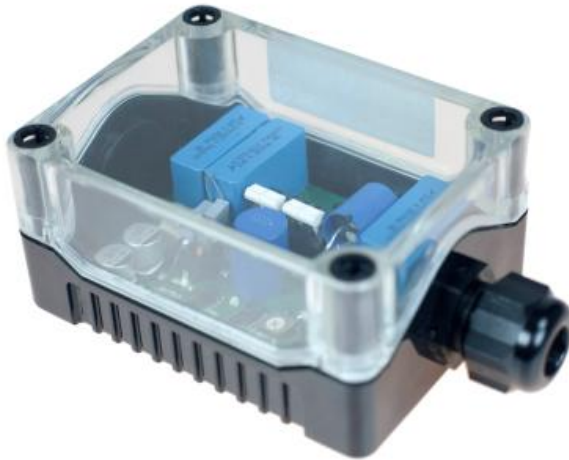


1023540000



ELTSI-1

Exigo Industrial Line End Transponder

SPARE PART ONLY.!



- ✓ Loudspeaker Line End Transponder
- ✓ Power and communication over the loudspeaker lines
- ✓ Small and simple to install
- ✓ Rugged and weather proof housing

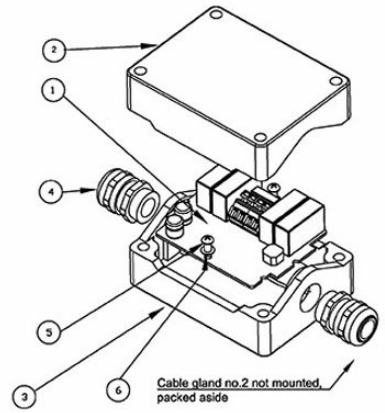
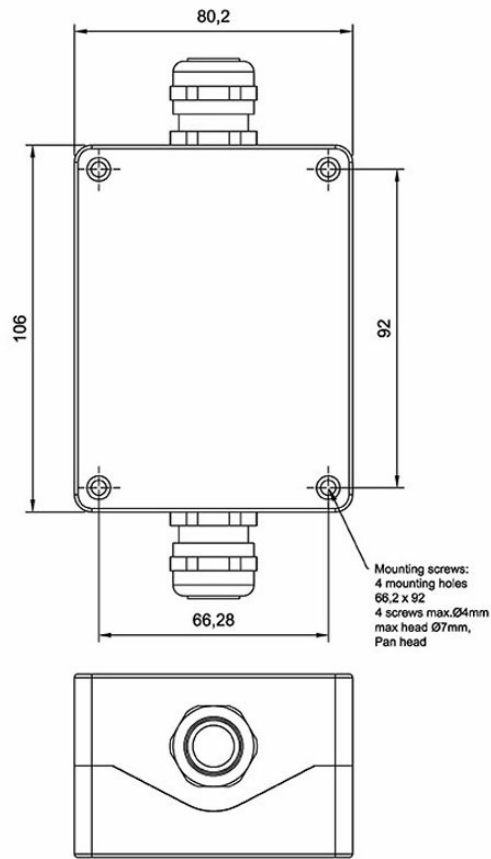
 Exigo  IP67

Description

The intelligent line end transponder ensures reliable monitoring of the loudspeaker lines. The Exigo amplifier knows how many line end transponders are used and will check that all the line end transponders are able to communicate with the amplifier according to the monitoring cycles. Where impedance measurements may result in an erroneous report of a broken line, the line end transponder will always report the correct health of the loudspeaker loop.

Up to 10 line end transponders may be connected to the same amplifier, making it possible to branch out the loudspeaker loops or distribute along the loudspeaker loop for more detailed fault reporting.

Technical Dimensions



Index	Part_name	Description	Qty.
1	A100C0_8340_LET_PCB-ASSY	PCB assy	1
2	BE_BULGIN_ENCLOSURE_BOTTOM	BE02S Bulgin	1
3	BE_BULGIN_ENCLOSURE_TOP	BE02S Bulgin	1
4	M20_CABLE-GLAND	PG16 IP68	2
5	PT_SCREW_PAN_40X8	PT screw ø2.2x8	2
6	WASHER_4-3X0-8_ISO7092	Washer	2

Specifications

MECHANICAL

Dimensions (HxWxD):	53 x 81 x 106 mm
Weight:	350 g
Mounting:	4 holes \varnothing 4 mm
Color:	Dark grey / Transparent top
Cable entry:	M20 PK10 Cable glands (7-13 mm cable)

ENVIRONMENTAL

Operating temperature:	-25 °C to +60 °C
Operating humidity:	10% to 95% (non-condensing)
Storage temperature:	-40°C to +70°C
Storage humidity:	10% to 95% (non-condensing)
Air pressure:	600 hPa to 1100 hPa
IP rating:	IP-67

ELECTRICAL

Nominal voltage:	Powered from loudspeaker line
Power consumption:	PNOM \leq 10 mW (idle), PMAX = 125 mW

Used With



ENA2200

Exigo Network Amplifier 2 x
200W



ENA2400-DC

Exigo Network Amplifier 2 x
400W



ENA2400-AC

Exigo Network Amplifier 2 x
400W AC